

Current transformers

STP series

Description

Split-core current transformers of small dimensions helps to save time to electrical installators during the mounting process. This type of current transformer helps to measure in panels where there is not enough space to place an standard CT. Moreover, thanks to its split-core it's possible to measure current without disconnecting the power supply.

Primary ranges goes from 100 A up to 300 A with a maximum diametre of 23 mm.

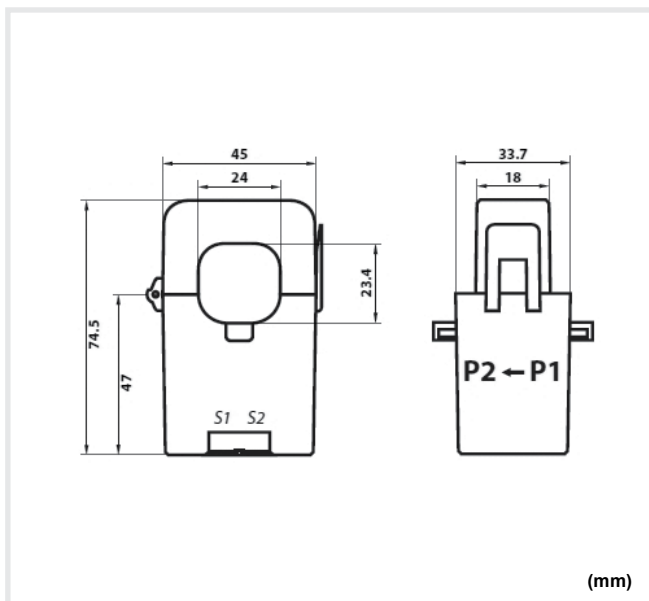
Application

When it's necessary to make a temporary measure in an electrical facility, it's very important to save time during installation process. **STP** current transformers allows to mesure energy being used with **CIRCUTOR** power analyzers or energy meters without power supply disconnection.

Split-core allows to measure in small size panels and helps to provide a solution with less space.


Features

Main features	
Primary current (depending on the model)	100-125-150-200-250-300 A
Secondary current	/1 A
I_{min}	$0,01 \times I_n$
Frecuency	50 / 60 Hz
Isolation voltage	0,72 kV
Highest voltage for the case	3 kV 1 minute
Admisible overload	1.2 times $\times I_n$
Working temperature	-20 °C ... +55 °C
SF	2,5
Protection level	Bipolar 6.5 V_p
Type of encapsulation	CAT III 600 V_{AC}
Output terminals	2 x M3 with terminal cover
Standards	
IEC-60044-1, IEC-61010-1	

Dimensions

References

Type	A	V-A	Class 3	internal Ø (mm)	Code
STP-30	100/1		1	23	M73303001
	125/1		1	23	M73304001
	150/1		1	23	M73305001
	200/1		0,5	23	M73306001
	250/1		1	23	M73307001
	300/1		1,5	23	M73308001